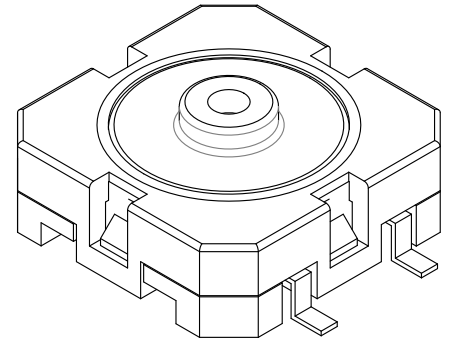
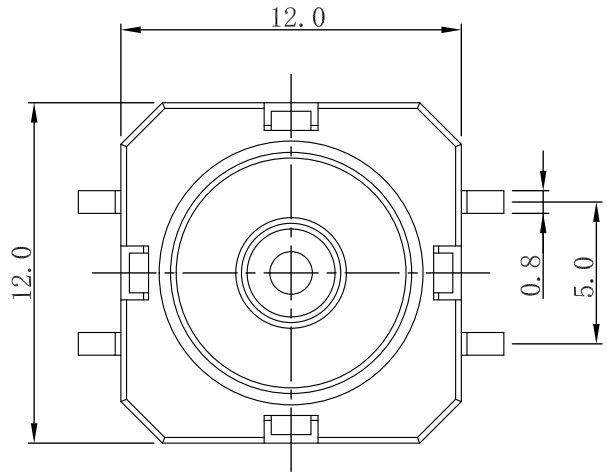
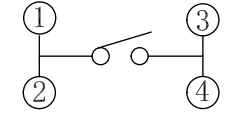


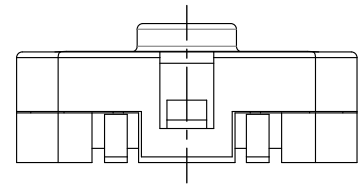
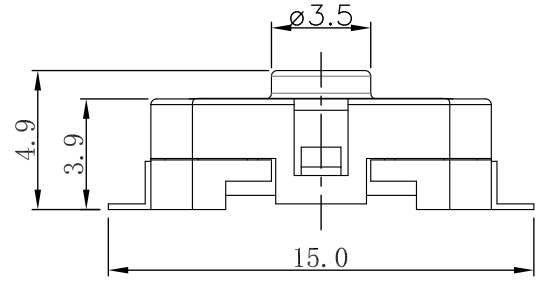
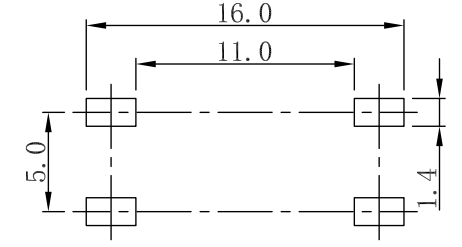
REV	DESCRIPTION	DRW	DATE
A/0		OU.XH	2015.01.20



CIRCUIT

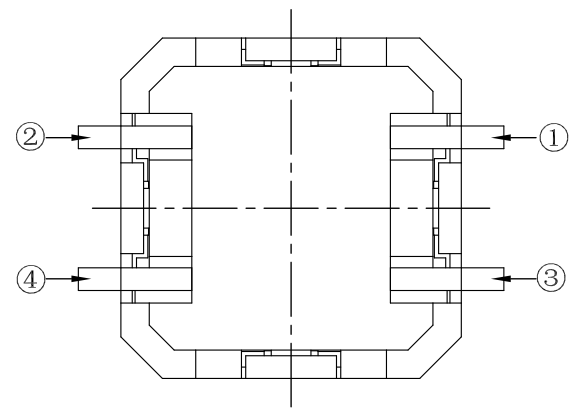


P.C.B LAYOUT



- NOTES:
1. RATING: 12VDC 50mA
 2. CONTACT RESISTANCE: 100mΩ Max
 3. INSULATION RESISTANCE: 100MΩ 500VAC FOR 1MIN
 4. DIELECTRIC STRENGTH: 250VAC (50/60Hz) FOR 1MIN
 5. OPERATION FORCE: 300±100g
 6. TRAVEL: 0.5±0.3mm
 7. DURABILITY: 1000,000 CYCLES AT THE FREQUENCY OF 20~30 CYCLES/MINUTE;

5	TERMINAL	H65 (C2680)
4	CONTACT	SUS301
3	BUTTON	RUBBER
2	COVER	PA (BLACK)
1	HOUSING	PA (BLACK)
ITEM	PART NAME	MATERIAL



RAMSUN® Switch 深圳市英尚微电子有限公司
Shenzhen Ramsun Micro-electronics Co., Ltd

TOLERANCE				DRAWN	DATE	TITLE	TACT SWITCH
UNLESS OTHERWISE STATED				OU.XH	2015.01.20	MODEL	RTR-12-M
X.X	±0.25	∠	±2'	CHK'D	DATE	MATL	
X.XX	±0.15	UNIT	mm	APPV'D	DATE	FINISH	
REV	A/0	SCALE	4:1				
SIZE	A4	SHEET	1 OF 1				